

Rebuilding the Food Processing Industry

Rebuilding the Food Processing Industry

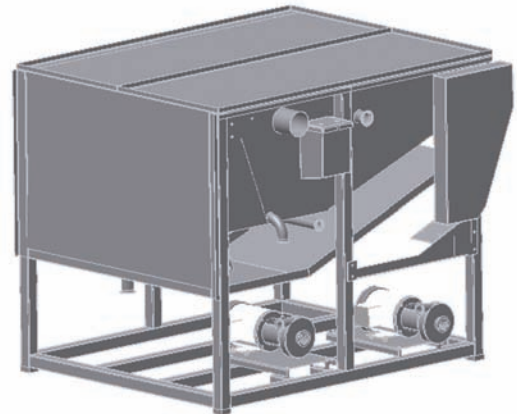


ABJ Continuous Oil Filter

Machine Features

- Stainless steel construction with US standard fasteners, bearings, sprockets, belting, and shafts with sanitary open frame design.
- Open design for easy clean up
- Stainless steel suction and feed pumps ensure high flow rate capacity.
- Particulate is continuously removed from oil.
- Equipped with Teflon scraper to help prolong belt life.
- Choice of 60 or 80 micron belts allows for custom filtration
- Optional paper media filter attachment.
- Designed and built with the most up-to-date technologies
- Continuous technical support
- Assistance available for install and set-up.
- Equipment is priced at a considerable savings than that of other OEM's

Pictured: ABJ Oil Filter



www.abjequipfix.com

ABJ Warranty Policy

ABJ Equipfix will repair or replace any ABJ manufactured component that fails due to defect in material or workmanship within 12 months from shipment.

*All OEM parts covered by individual warranties.

ABJ'S CF SERIES OIL FILTERS HELP IN BOTH EXTENDING OIL LIFE AND SUPERIOR PRODUCT QUALITY. IDEAL FOR BOTH JAPANESE STYLE BREADING AND BASIC FLOUR BREADING.